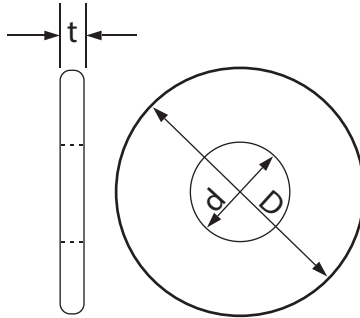


HIGHWAY GUARDRAIL HARDWARE

HEAVY WASHERS

WASHER



UNIT: in

Nominal Bolt Size in.	Outside Dia. D		Dia. of Hole d		Thickness t	
	Nom.	Tolerances	Nom.	Tolerances	Max.	Min.
5/8	1.313	+0.032	0.688	-0/+0.032	0.177	0.122
3/4	1.468	+0.032	0.813	-0/+0.032	0.177	0.122
7/8	1.750	+0.032	0.938	-0/+0.032	0.177	0.136
1	2.000	+0.063	1.063	-0/+0.063	0.177	1.136
1-1/8	2.250	+0.063	1.188	-0/+0.063	0.177	1.136

For reference only