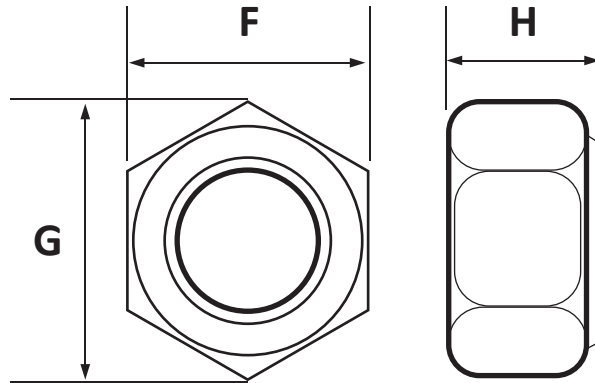


# HIGHWAY GUARDRAIL HARDWARE

## HEAVY HEX NUTS

Heavy Hex Nuts are somewhat larger than a standard hex nut, compatible with high strength and large diameter bolts.

### NUT



UNIT: in

Nominal Nut Size in.	Width Across Flats F			Width Across Corners G		Height H		
	Basic	Max.	Min.	Max.	Min.	Basic	Max.	Min.
5/8	1-1/16	1.062	1.031	1.227	1.175	39/64	0.631	0.587
3/4	1-1/4	1.250	1.212	1.443	1.382	47/64	0.758	0.710
7/8	1-7/16	1.438	1.394	1.660	1.589	55/64	0.885	0.833
1	1-5/8	1.625	1.575	1.876	1.796	63/64	1.012	0.956
1-1/8	1-13/16	1.812	1.756	2.093	2.002	1-17/64	1.139	1.079

For reference only